
TABLE OF CONTENTS

Introduction	3
• Training Objectives	
Volunteer Chainsaw Levels	4
• Chainsaw Operator Safety Assistant	
• Chainsaw Operator – Feller I Level	
• Chainsaw Operator – Feller II Level	
• Chainsaw Operator – Feller III & IV Level (non-volunteer)	
Personal Protective Equipment (PPE)	5
First Aid and Emergencies	6
Mechanics of Chainsaw Safety	7
Chainsaw Care	11
• Stripping and Cleaning	
• Filing and Sharpening	
Chainsaw Preparation	14
• Chain Tension	
• Fueling and Oiling Procedure	
Kickback and Rotational Forces	16
Chainsaw Operation	19
• Starting Procedure	
• Leg Lock and Ground Starts	
• Cold and Warm Start	
Work Site Hazard Assessment and Safety	21
• Hazards	
• Escape Route	
Safety Considerations for Sawyer	22
Cutting Concepts	23
• Tension and Compression	
• Basic Chainsaw Cuts	
• Notching a Tree	
Chainsaw Safety Assistant	26
General Workday Safety and Planning	27

Supplies	29
<ul style="list-style-type: none">• Ordering• Loaners• Kevlar Boot Policy• Repair	
Maintenance Schedule	31
Field Observation & Certification	32
<ul style="list-style-type: none">• Exam• Field Observation• Scheduling	
Appendix	
<ul style="list-style-type: none">• OSHA First Aid Kit Requirement• Volunteer Illness/Accident Reporting Form• Tool/Supply Ordering Form• Facilities Directions & Hours• Loaner Request Form• Kevlar Boot Agreement• Observation Form	

INTRODUCTION

A chainsaw, when used improperly by an unskilled operator increases the risk of personal injury.

Objectives of this training

- Develop a strong understanding of the fundamentals of safe chainsaw use and maintenance, and jobsite safety.
- Understand basic chainsaw safety and operation to help an operator become a competent, safe, and professional sawyer.

All of the maintenance and operation information contained in this manual can also be found in the STIHL user manual, which can be a valuable reference tool. Proficiency with a chainsaw will come with experience.

However, it is important to always stay focused and never become complacent while operating a chainsaw.

Know when a situation is beyond your skill level. NEVER cut something you are not comfortable with. Know when to walk away and ask for help. Your safety is ultimately your responsibility and is influenced not just by the protective equipment you wear but by the decisions you make and the attitude you have while working.

VOLUNTEER CHAINSAW LEVELS

FPCC Chainsaw levels for volunteers are as follows:

Chainsaw Operator Safety Assistant

This training level indicates that an individual has been trained in basic chainsaw safety and maintenance and has a solid understanding of jobsite safety involved with working around others who are operating chainsaws. A chainsaw assistant is not allowed to use a chainsaw on FPCC property.

- Obtained by attending the classroom portion of Chainsaw Training and passing exam.
- Pre-requisite is a minimum of 30 volunteer hours in ecological stewardship or trailkeeper program logged on Online Volunteer System (OVS).

Chainsaw Operator Feller Level I

Feller I level chainsaw operator is allowed to operate a chainsaw on FPCC property to remove woody vegetation up to 6" dbh (diameter at breast height).

- Obtained by attending the classroom portion of Chainsaw Training, passing the exam and also passing a field test scheduled by volunteer with Resource Management staff.
- Pre-requisite is a minimum of 30 volunteer hours in ecological stewardship or trailkeeper program logged on OVS.
- Volunteer must either purchase their own Kevlar boots or agree to do at least 6 workdays in the next 12 months for FPCC to supply them with

boots at no charge. Chainsaw workdays must be recorded on OVS. This policy will be strictly adhered to.

Chainsaw Operator Feller Level II

Feller II level chainsaw operator is allowed to operate a chainsaw on FPCC property to remove approved woody vegetation up to 12" dbh. They may also address storm damage situations of light to moderate difficulty if they choose.

- Obtained by attending the classroom portion of Level II Chainsaw Training and passing the exam
- Participation in a special chainsaw workday conducted by Resource Management. The individual will be required to demonstrate in-depth knowledge of chainsaw safety, maintenance, operation, hazard assessment, jobsite safety and advanced cutting techniques.
- Pre-requisite is a minimum of 300 volunteer chainsaw hours or 100 chainsaw workdays logged in on OVS as specifically chainsaw work.
- Volunteer must either purchase their own Kevlar boots or agree to do at least 6 workdays in the next 12 months for FPCC to supply them with boots at no charge. Chainsaw workdays must be recorded on OVS. This policy will be strictly adhered to.

Chainsaw Operator – Feller Level III & IV

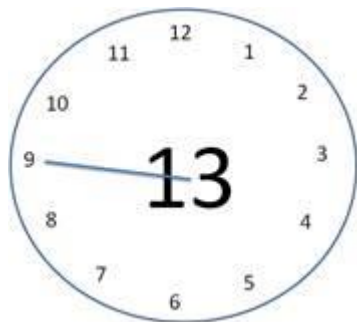
These positions are not available to volunteers. Only staff and interns can hold these designations.

PERSONAL PROTECTIVE EQUIPMENT (PPE)

There are five items required by OSHA (Occupational Safety & Health Administration) to be worn by the chainsaw operator. These items are designed to prevent bodily injury and are necessary to operate a chainsaw for the Forest Preserves of Cook County. All of them are supplied by FPCC through Volunteer Resources. If you choose to use your own personal equipment, they must still meet the OSHA standards.

See equipment section of text for ordering information.

Hardhat – Only good for five years due to plastic degradation from UV light. Five years is based on moderate to heavy use. Helmets must be replaced if a significant impact is applied to the hardhat or at the 5 year point. Dates are stamped on the underside of the bill. An example is shown below indicating a manufacture date of September 2013 (the year's last two digits are in the center and the month is indicated by the "hour hand").



- **Eye Protection** – Mesh face shields are approved eye protection. Broken shields can be replaced separately from helmet.
- **Hearing protection** – May be either plug (provided by volunteer) or muff style (part of combination helmet). Broken muff assembly can be replaced separately from helmet.

The above 3 items are ordered as one helmet system.

- **Chaps** – Protect the legs by utilizing a Kevlar weave. Damaged chaps must be replaced. They can be cleaned with a pressure washer.
- **Boots** – Must be constructed of cut resistant material (such as Kevlar). Leather or steel toed leather are not sufficient.
- **Leather Gloves** - Highly recommended but not required.
- **Logging First Aid Kit** OSHA requires a First Aid Kit with a specific minimum set of contents.
- **Orange Safety Vest** – Recommended but not required.

All individuals engaged in logging type operations are also required by OSHA to be trained and current in First Aid and CPR. See First Aid section of text.

FIRST AID AND EMERGENCIES

First Aid Kit

A logging first aid kit is required for every work site when chainsawing is occurring. These kits are available through Volunteer Resources. Contents are listed in the appendix.

CPR/First Aid Training

OSHA requires that everyone participating in a logging operation is trained in CPR and First Aid. The volunteer operation may not be a true logging operation but we do encourage all Chainsawyers and particularly, the Chainsaw Safety Assistants to take the CPR classes. They are offered by FPCC once a month on a weekday and four times a year on Saturdays. Registration is via OVS. There also is a wait list on OVS for the Saturday dates so that you are automatically notified when a date is set.

Emergencies

It is important on every workday (with or without chainsaws) to know where the nearest medical facility is and to know how to give directions to your worksite. Since street addresses won't work to give to 911 for a medical emergency, volunteers must be

prepared to provide other information and use other means.

- Know the name of the closest intersection
- Know closest access to the site by vehicle
- Know directions on further access by foot
- Send scouts out to significant points like driveway entrances or trailheads to flag down emergency responders
- Give GIS location if known
- Give the dispatcher your cellphone number to help locate the site if it can't be easily found

Reporting

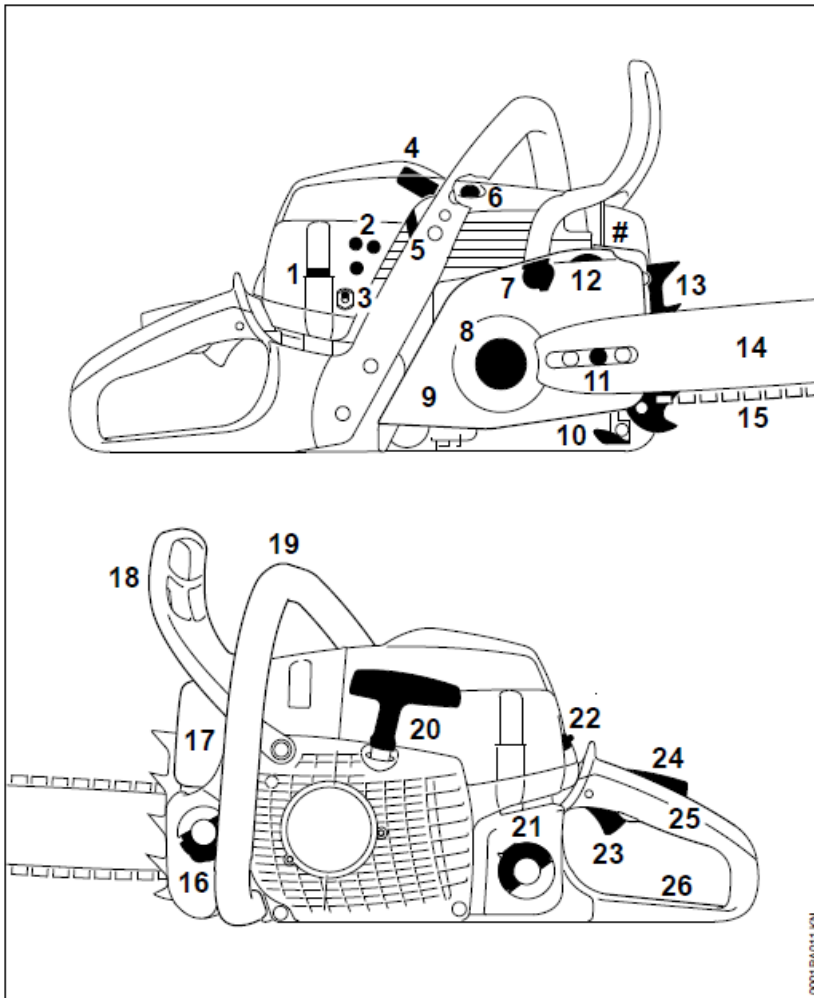
After the well being of the injured has been addressed, it is important to complete the Accident/Illness Report (see appendix). Have witnesses write their account of the accident and then send it in to Volunteer Resources. Minor incidents don't require a phone call. For major incidents (anytime a 911 call or emergency room visit is made), call the Stewardship Program Coordinator or Volunteer Resources Manager to apprise them of what happened.

MECHANICS OF CHAINSAW SAFETY

Chainsaw Safety Features

Every chainsaw is equipped with safety features that function to minimize the potential for injury to the user. Proper functionality of these features is necessary for safe saw operation and should be inspected at the beginning of each work day.

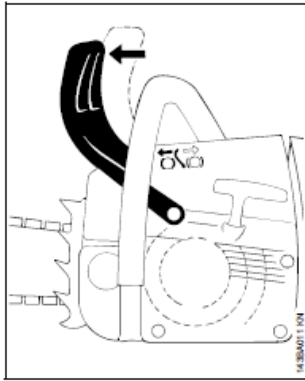
Main Parts



- 1 Shroud Lock
- 2 Carburetor Adjusting Screws
- 3 Handle Heating Switch (Special Option)
- 4 Spark Plug Boot
- 5 Shutter
- 6 Decompression Valve
- 7 Chain Brake
- 8 Chain Sprocket
- 9 Chain Sprocket Cover
- 10 Chain Catcher
- 11 Chain Tensioner (lateral)
- 12 Adjusting Wheel of Quick Tensioner
- 13 Bumper Spike
- 14 Guide Bar
- 15 Oilomatic Saw Chain
- 16 Oil Filler Cap
- 17 Muffler
- 18 Front Hand Guard
- 19 Front Handle
- 20 Starter Grip
- 21 Fuel Filler Cap
- 22 Master Control Lever
- 23 Throttle Trigger
- 24 Throttle Trigger Lockout
- 25 Rear Handle
- 26 Rear Hand Guard
- # Serial Number

© Andreas STIHL AG & Co.

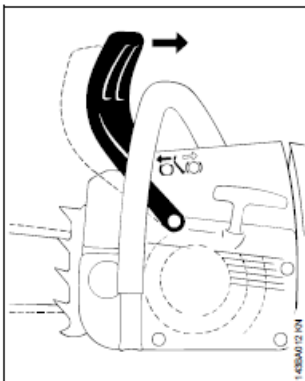
Chain brake – (#7) The chain brake function is to stop and lock the rotation of the chain around the guide bar. The brake is engaged (on) when the front hand guard is moved to the front of the saw which prevents the chain from spinning. Avoid engaging the chain brake with the saw at full throttle. Allow the chain to decrease speed to prevent damage to the brake and clutch components.



*Engaging
Chain Brake*

©Andreas STIHL AG & Co.

The brake is disengaged (off) when the front hand guard is pulled to the rear of the saw, allowing the chain to move. An audible click will be heard when the brake changes from engaged to disengaged.



*Disengaging
Chain Brake*

© Andreas STIHL AG & Co.

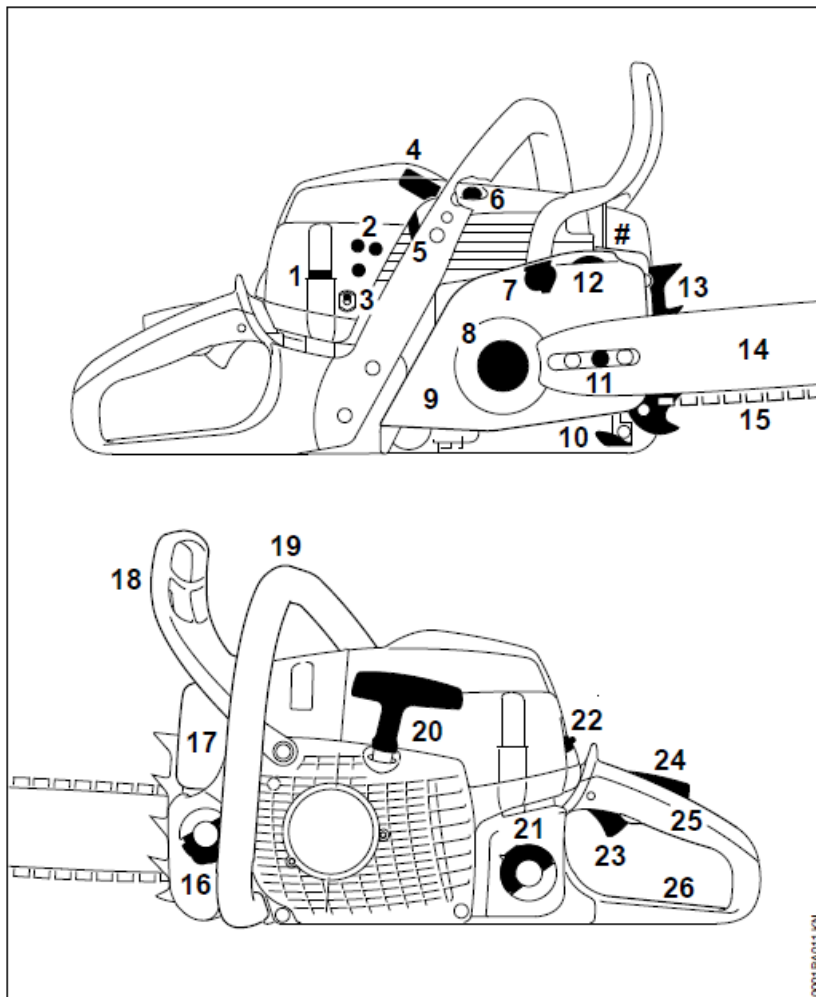
The chain brake must be working properly. A saw with a malfunctioning chain brake must be repaired before use.

Throttle Trigger Lockout - (#24) – Located on the top of the rear handle, this device must be depressed in order to allow the throttle to function. Test this feature, with the saw **NOT** running, by attempting to pull the throttle without depressing the throttle trigger lockout. The throttle should not be able to move if the lockout is functioning properly.

Chain Catcher – (#10) The catcher is an aluminum hook located on the bottom of the saw where the guide bar meets the main housing of the saw. Its function is to prevent a chain loop from hitting the rear hand of the saw operator in the event the chain comes off the bar during cutting operations. The chain catcher must be replaced after one hit from a detached chain.

Anti-Vibration Mounts – Modern saws have integrated anti-vibration mounts in the form of springs and rubber bushings which function to reduce user fatigue. Pulling excessively on a pinched saw can damage and break these mounts which can lead to stress on other saw components and the operator.

Main Parts



- 1 Shroud Lock
- 2 Carburetor Adjusting Screws
- 3 Handle Heating Switch (Special Option)
- 4 Spark Plug Boot
- 5 Shutter
- 6 Decompression Valve
- 7 Chain Brake
- 8 Chain Sprocket
- 9 Chain Sprocket Cover
- 10 Chain Catcher
- 11 Chain Tensioner (lateral)
- 12 Adjusting Wheel of Quick Tensioner
- 13 Bumper Spike
- 14 Guide Bar
- 15 Oilomatic Saw Chain
- 16 Oil Filler Cap
- 17 Muffler
- 18 Front Hand Guard
- 19 Front Handle
- 20 Starter Grip
- 21 Fuel Filler Cap
- 22 Master Control Lever
- 23 Throttle Trigger
- 24 Throttle Trigger Lockout
- 25 Rear Handle
- 26 Rear Hand Guard
- # Serial Number

© Andreas STIHL AG & Co.

Decompression Valve - (#6) Located on the top of saw, when depressed, the valve functions to reduce the resistance of the motor while pulling the starter cord. This reduces user fatigue and makes starting the saw easier.

Rear Hand Guard – (#26) Located at the rear of the saw. This guard functions to protect the user's hand from contact with the saw chain in the event the chain comes off the bar during operation.

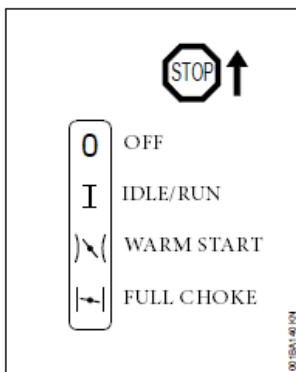
Front Hand Guard – (#18) Located at the front of the saw, the front hand guard operates the chain brake mechanism and protects the operator's hand.

Front Handle – (#19) Located towards the front of main saw housing, the handle wraps from the left side of the saw to the top right side. Proper hand position on the front handle will ensure the effective engaging of the chainbrake in the event kickback occurs.

Bumper Spikes – (#13) Located at the front of the saw, these spikes function to aid in flushing stumps and bucking logs by providing a leverage point.

Muffler – (#17) Located at the front of the saw, the muffler functions to reduce the noise output and contains a spark arrestor screen. The screen prevents sparks from exiting the muffler, reducing the potential for ignition of vegetation near the work site.

Master Control Lever - (#22) - Located at the rear of the saw on the left side of the rear handle, this switch functions to adjust the carburetor to full choke, warm start, and idle settings. This is also the off switch and is intended to easily be operated by the thumb of your right hand.



© Andreas STIHL AG & Co.

CHAINSAW CARE

In the field maintenance

Stripping and cleaning Field stripping the saw involves a basic breakdown of parts to facilitate cleaning and servicing the saw on the jobsite. Small parts are easily lost at a worksite. Using your helmet or another container to hold the parts is helpful.

In most cases, a chainsaw tool called a “scrwrench” or “T-wrench” is all that is required for a basic breakdown. The scrwrench is a socket on the end of a flat blade screwdriver. The socket is used to remove the bar nuts which hold the chain sprocket cover on. The flat blade screwdriver is used to adjust the chain tension and to remove the shroud which covers the air filter and sparkplug.

The steps for field stripping and cleaning are:

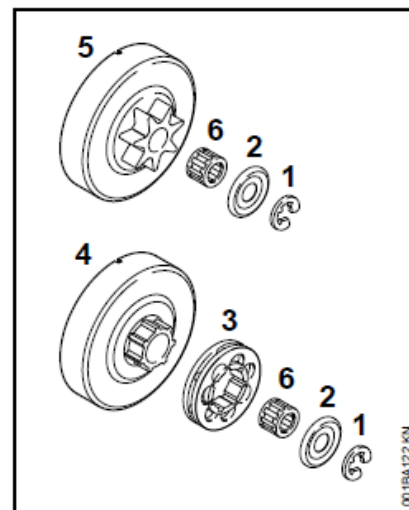
1. Turn the saw off
2. Remove chain sprocket cover (keep track of the nuts) - scrape out debris
3. Remove the guide bar and chain - clean bar groove and oil ports
4. Remove the shroud (with the master control lever in full choke position)
5. Remove the air filter – tap out dust

Further breakdown of the saw should only be performed in a shop to avoid losing small pieces. With the saw now broken down, you can inspect and clean the exposed components with a brush and tap out the air filter. Check the guide bar for burs along the groove. Remove any burs using a flat file.

Reassemble the saw by:

1. Fitting the air filter
2. Secure the shroud
3. Mount the guide bar and chain
 - a. Flip the guide bar each time it is removed to ensure even wear
4. Secure the chain sprocket cover with the nuts - finger tight
5. Adjust the chain for proper tension
6. Tighten the nuts

A more thorough cleaning and inspection can be performed at a facility and should be expanded to include checking the sprocket for wear and greasing the needle bearing.



©Andreas STIHL AG & Co.

Sprocket/Bearing Removal

1. **E-Clip**
2. **Washer**
3. **Rim Sprocket**
4. **Clutch Drum**
5. **Integrated Spur Chain Sprocket**
6. **Needle Bearing**

The sprocket should be replaced after every 2 saw chains. New sprockets are available through Volunteer Resources. A worn sprocket will reduce the life of a saw chain and increase wear on the saw.

Remove the sprocket and needle bearing by:

1. Removing "E-clip" and Washer
2. Removing the sprocket
3. Exposing and greasing the bearing
4. Replace the sprocket if needed

Chain filing (sharpening) Replacement chains are available through Volunteer Resources. But volunteers are encouraged to sharpen their chains in between replacements. File guides and files are also available from Volunteer Resources.

Properly sharpening a saw chain is necessary for safe operation and should be performed as needed. A sharp chain will produce wood chips or shavings as a byproduct of the cut and require minimal force from the operator to complete the cut. A dull chain will produce powder or saw dust as a byproduct of the cut, require excessive force which will fatigue the operator and increase wear on the saw.

Chains can be filed in the field or at a work bench using various tools. Following the manufacturers recommended filing angles will ensure the best cutting performance and life of the chain. The correct file size for a chain is determined by the chain pitch.

Stihl chains have a coding system which indicates Pitch, Gauge, Cutter type and shape, Link Design and Number of Links.

The pitch is marked on each cutter in a chain loop and the gauge on the drive link.

FPCC standard chain for volunteers is 26 RMC 3 67.

2= .325 pitch;

6 = .063 or 1.6mm gauge;

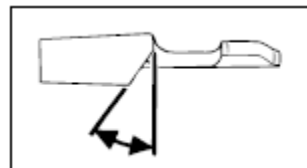
Rapid Micro Chisel Cutter;

3 = Special Humped Drive Link;

67 links per 16" bar

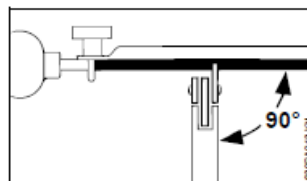
They require round files sized 3/16" to sharpen.

The top plate of the tooth should be filed at a 30° angle with the file horizontal in relation to the bar.



30° Filing Angle

©Andreas STIHL AG & Co.

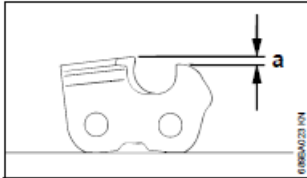


Filing Pitch

©Andreas STIHL AG & Co.

A reference line etched on the top, rear of each tooth indicates a 30° line. A cutting tooth may be filed all the way back to this etched line as long as the appropriate gap with the depth gauge is maintained. The file only works in the forward motion.

Each tooth has a depth gauge in front of it. The depth gauge is slightly lower than the cutting edge of the tooth.

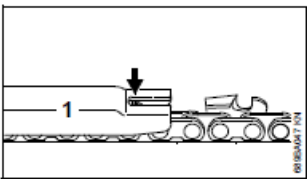


Depth Gauge/Raker Gap

©Andreas STIHL AG & Co.

This gap determines how much wood is cut each time the tooth passes through the wood. As the tooth is filed, its height is reduced.

The depth gauge must also be filed to maintain the appropriate gap. Special sharpening gauges and a flat file should be used to properly maintain the depth gauge each time the chain is sharpened.



Filing Depth Gauge

A larger gap between the tooth and depth gauge makes the saw cut more aggressively and increases the potential for kickback.

Always wear gloves when sharpening or handling the saw chain. They are very sharp even when they aren't sharp enough for sawing!

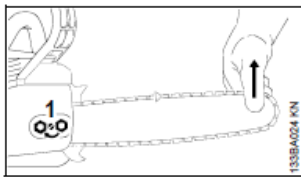
- Prevent dulling the chain by avoiding contact with soil and foreign debris when operating a chainsaw.
- Always store the chainsaw with the scabbard on the guide bar.

CHAINSAW PREPARATION

Chain tension

Proper chain tension will prevent unnecessary wear on the guide bar and chain. A loose chain will damage the sprocket and can be thrown off the bar, potentially injuring the operator. Loose chain will also rotate around the bar while the saw is idling. A tight chain will roll the edges of the guide bar and stress the motor, clutch, crank and chain links. To adjust the chain:

Always wear gloves when handling the saw chain. The teeth are very sharp!



Chain Tensioning

© Andreas STIHL AG & Co.

1. Loosen bar nuts (do not remove)
2. Hold the nose up the bar up
3. Use screwdriver to adjust chain tensioner screw located between the two nuts
4. Turn adjuster screw clockwise to tighten chain
5. Turn adjuster screw counterclockwise to loosen chain.
6. Tighten bar nuts to secure chain sprocket cover and bar once proper tension is reached.

Proper chain tension is achieved when the chain touches along the entire bottom edge of the guide bar and with the saw OFF and chainbrake disengaged, you can pull the chain around the bar with a gloved hand. A properly adjusted chain will not rotate around the bar when the saw idles with the chainbrake disengaged.

Fueling/oiling procedure

All STIHL products run on a 50:1 fuel to oil mix ratio. 2-cycle oil comes in premeasured bottles which indicate how many gallons of gasoline the bottle of oil should be mixed with.

DO NOT confuse bar oil with 2-cycle oil. They are not the same.

Important fueling/oiling points are:

- The fuel tank is near the rear of the saw (#21)
- The bar oil tank is near the front of the saw (#16)
- Do not fuel the saw within 10 feet open flames
- Do not smoke while fueling the saw
- Do not start the saw within 10 feet of fueling site

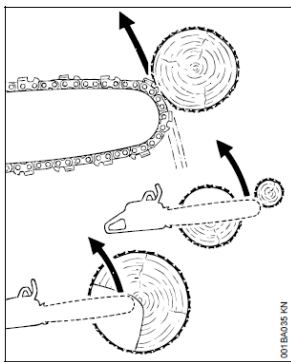
- Use at least 89 octane (higher is preferred) gasoline mixed with 2-cycle oil
- Avoid using fuel older than 3 months
- Mix fuel and 2-cycle oil in an approved fuel container prior to gassing the saw (FPCC VR supplies 1gal approved containers)
- Clean area around fuel cap prior to removal
- Ensure fuel cap is fully seated and secured before resuming work (some of these are tricky and can easily be broken if not done correctly)
- Clean bar oil cap before removing
- Use appropriate bar oil to ensure proper chain lubrication (FPCC VR supplies winter and year round grade bar oil)
- Ensure oil cap is fully seated and secured before resuming work

KICKBACK AND ROTATIONAL FORCES

Understanding the forces involved with a chain spinning around a bar is necessary for the safety of the operator. The saw will respond in a motion that is directly opposite the direction of the chain's travel.

Kickback

This force poses the greatest risk for catastrophic injury. Proper handling of the saw and properly functioning safety features will greatly reduce the potential for injury.



Kickback Motion

© Andreas STIHL AG & Co.

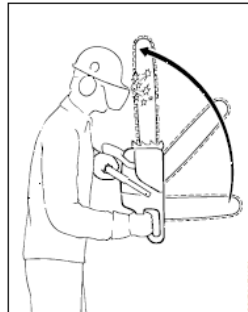
Kickback occurs when the top of the guide bar nose contacts wood.



Kickback Zone

© Andreas STIHL AG & Co.

The saw violently moves up and toward the operator.



Kickback Injury

© Andreas STIHL AG & Co.

The operator can reduce the potential for kickback by:

- Keeping the top of the guide bar nose from contacting wood
- Cleaning the worksite of obstructions
- Always have a good grip on the saw with your thumb wrapped on the front handle



Good Grip

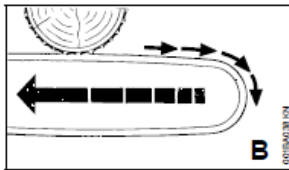
© Andreas STIHL AG & Co.

Push-back and pull-in

These are two other forces created by the saw during operation.

Push-back occurs when:

- The top of the bar is used to cut wood
- The chain stops moving due to pinching

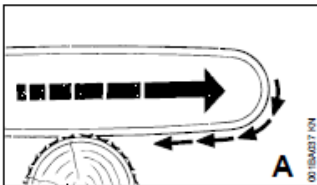


Push-Back

© Andreas STIHL AG & Co.

Pull-in occurs when:

- The bottom of the bar is used to cut wood
- The chain stops moving due to pinching



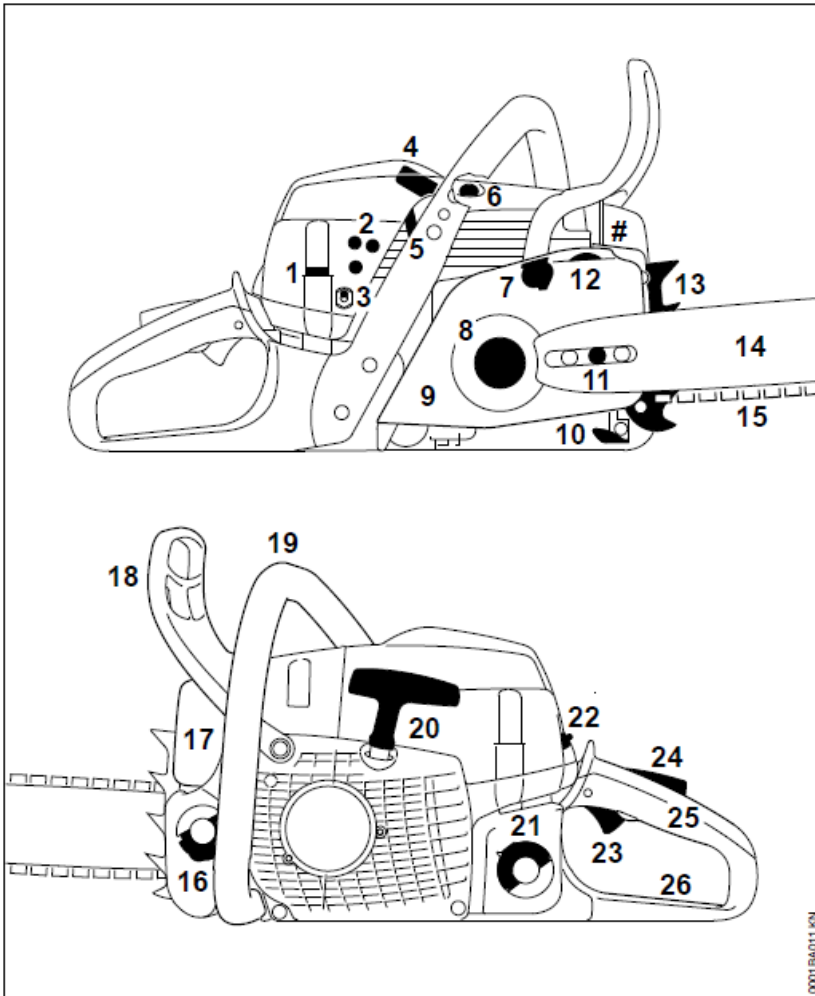
Pull-In

© Andreas STIHL AG & Co.

The operator can reduce the effects of these forces by:

- Having the chain spinning at full throttle before contacting the wood
- Having the bumper spikes close to the wood

Main Parts



- 1 Shroud Lock
- 2 Carburetor Adjusting Screws
- 3 Handle Heating Switch (Special Option)
- 4 Spark Plug Boot
- 5 Shutter
- 6 Decompression Valve
- 7 Chain Brake
- 8 Chain Sprocket
- 9 Chain Sprocket Cover
- 10 Chain Catcher
- 11 Chain Tensioner (lateral)
- 12 Adjusting Wheel of Quick Tensioner
- 13 Bumper Spike
- 14 Guide Bar
- 15 Oilomatic Saw Chain
- 16 Oil Filler Cap
- 17 Muffler
- 18 Front Hand Guard
- 19 Front Handle
- 20 Starter Grip
- 21 Fuel Filler Cap
- 22 Master Control Lever
- 23 Throttle Trigger
- 24 Throttle Trigger Lockout
- 25 Rear Handle
- 26 Rear Hand Guard
- # Serial Number

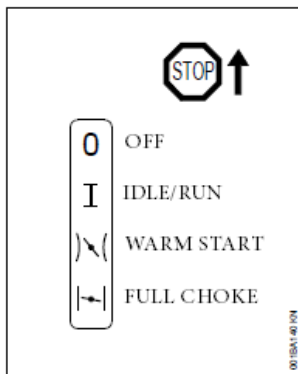
© Andreas STIHL AG & Co.

OPERATING A CHAINSAW

Starting procedure

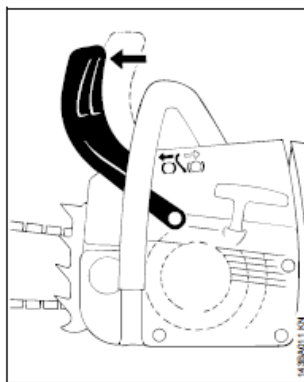
There are two recommended starting procedures. They are the Leg Lock start and the Ground start. Additionally, a saw can either be Cold started or Warm started. Cold starting is required when a saw has not recently been running. Warm starting is required when starting a saw which has been recently running. For all types of starts,

Always have the chain brake engaged when starting a saw and ensure no one is within your field of reach.



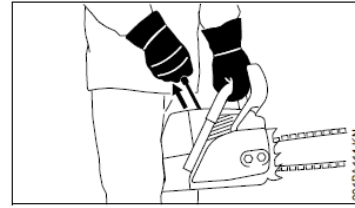
Master Control Lever

© Andreas STIHL AG & Co.



Engaging Chain Brake

© Andreas STIHL AG & Co.

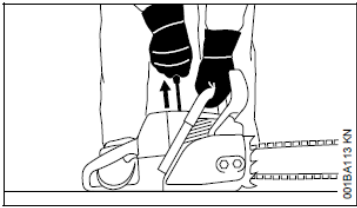


Leg-Lock Start

© Andreas STIHL AG & Co.

Leg Lock Cold Start method:

1. Engage the chainbrake
2. Ensure fuel and oil caps are secured
3. Firmly grip the front handle with your left hand
4. Move master control lever to full choke
5. Pinch the rear handle between your legs
6. Slightly angle the saw to the right to expose the starter grip
7. Press the decompression valve if desired
8. Lock your left arm straight
9. Pull the starter grip across your body
10. When the saw “burps”, move the master control lever up one position to warm start
11. Pull starter grip across body again until saw is running
12. Squeeze throttle to set saw to idle (I)



Ground Start

© Andreas STIHL AG & Co.

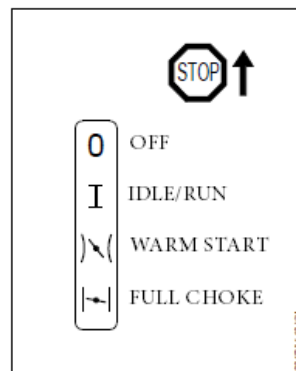
Ground Cold Start method:

1. Engage the chainbrake
2. Ensure fuel and oil caps are secured
3. Place saw on flat, clear ground
4. Stand facing the left side of the saw
5. Firmly grip the front handle with your left hand
6. Move the master control lever to full choke
7. Place the toe of your right boot into the rear handle
8. Press the decompression valve if desired
9. Pull the starter grip across your body
10. When the saw “burps”, move the master control lever up one position to warm start
11. Pull starter grip across body again until saw is running
12. Squeeze throttle to set saw to idle (I)

Warm starting a saw does not require the master control lever to be in the full choke position. When starting a warm saw:

1. Choose the desired start method Leg Lock/Ground
2. Move the master control lever to warm start position (one up from full choke)
3. Pull starter grip across your body until saw is running
4. Squeeze throttle to set saw to idle (I)

To turn the saw off, move the master control lever up to the off (O) position.



© Andreas STIHL AG & Co.

WORK SITE HAZARD ASSESSMENT AND SAFETY

Hazards

Identifying the work to be done along with any hazards that are present on a work site prior to beginning work is critical for reducing the potential for injury both to the saw operator and any other individuals present at the work site. The scope of the work to be done should be understood by all individuals involved and is defined by the volunteer running the workday - Site Steward, Steward or Stewardship Workday Leader. This helps prevent confusion and accidents and keeps the jobsite running efficiently.

OSHA requires a worksite briefing to take place prior to commencing work and this is a good practice in the volunteer setting as well. This briefing should clearly define the work to be done and any hazards that are present. Identifying hazards involves walking the work site the day the work is to be done and noting anything that can potentially hurt an individual or cause damage to equipment.

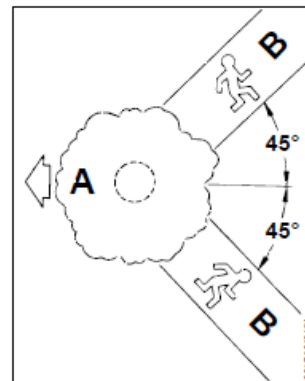
Hazards can include:

- Power lines and other Utilities
- Rough terrain, rocks
- Vines, limbs or other vegetation in nearby trees
- Bees, hornets, and wasps
- Poisonous plants

- Foreign material (glass, metal, garbage etc.)
- Pedestrians (the public)
- Traffic
- Weather
- Smoke/Fire and Burn/Brush Piles
- Distance from trucks and other machinery
- Unskilled volunteers
- Defects in the trees being cut (cracks, lean, rot)

Escape route

An escape route provides a safe line of retreat for the saw operator once the tree begins to fall. Escape routes should be 45° back, opposite the direction of the fall. It is the saw operator's responsibility to clear all debris and vegetation from the planned escape route prior to felling a tree.



Escape Path

©Andreas STIHL AG & Co.

SAFETY CONSIDERATIONS FOR THE SAWYER

Minimizing the potential for personal injury is the highest priority of a saw operator. Key points to always follow when operating a chainsaw are:

- Always wear the required PPE
- Never work alone. FPCC policy requires a Chainsaw Safety person be present overseeing the operator's safety as well as the public's safety.
- Know your skill level
- Recognize when to ask for help
- Do not cut something you are not comfortable with
- Do not cut above chest level
- Ensure chainsaw is working properly
- Keep good hand position and footing while working
- Keep your work site free of debris and congestion
- Work at a comfortable pace
- Take breaks when needed to stay hydrated and to prevent fatigue
- Know where other individuals are in relation to you and your saw
- Maintain good communication with other people on the jobsite
- Stand on the uphill side if working on a slope

Two-Step Rule

During cutting operations, if you are going to take more than two steps between cuts, the chain brake should be engaged.

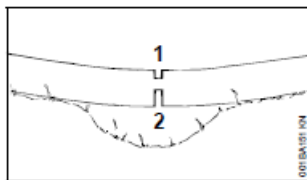
CUTTING CONCEPTS

Understanding how woody material responds to cutting is crucial to prevent operator fatigue and pinching the saw. A saw will become pinched when the cut being made closes on the bar of the saw like a clamp.

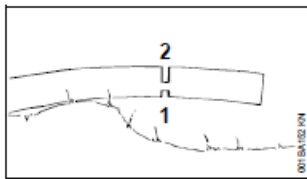
Tension and Compression

These two forces are most often experienced during cutting operations.

Compression/Tension Wood



1. Compression
2. Tension



1. Compression
2. Tension

© Andreas STIHL AG & Co.

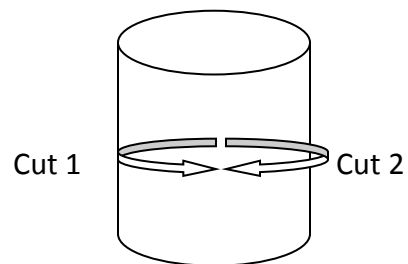
- Wood which is under **Tension** will separate as the saw cuts through the wood fibers. The result is the cut opens as more material is removed by the chain.
- Wood which is under **Compression** will close as the saw cuts through the wood fibers. This compression results in the cut closing and clamping down on the bar of the saw.

The force being applied to a particular limb or section of trunk is not always obvious. A skilled chainsaw operator will pay attention to how the wood is reacting as a cut is being made and reposition the saw accordingly.

Basic chainsaw cuts

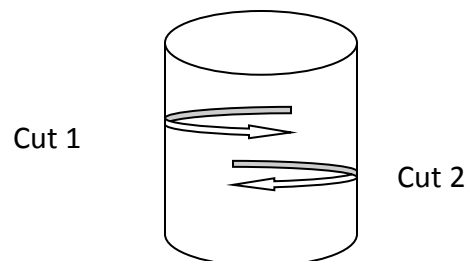
Drop Cut – Two cuts, made from either side of a log which directly meet one another.

- Make a cut in the compression wood, stopping when the cut starts to close
- Move the saw to cut through the tension wood directly opposite your first cut
- When the second cut meets the first, the log will be separated



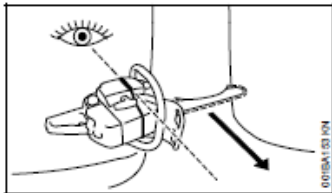
Snap/By-Pass Cut – Two cuts made from either side of a log which pass each other and are 1"-3" apart.

- Make a cut on one side of the log
- Move the saw to the other side of the log and make a second cut 1"-3" away from the first.
- The two cuts must pass each other



Notching a tree (basic concept)

Notching a tree involves removing a wedge or “pie slice” of wood in order to establish a hinge. This setup allows the saw operator to aim and control the direction of fall of the tree being removed.

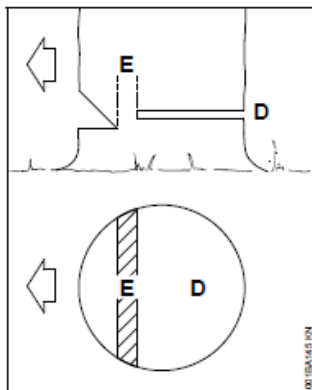


Aiming the Notch

© Andreas STIHL AG & Co.

There are three common types of notches:

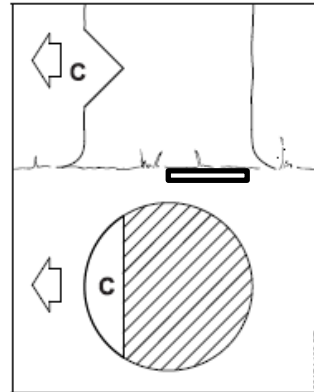
- 1. Conventional** – A 45° opening made using a downward top cut and horizontal bottom cut



*Conventional
45° Notch*

© Andreas STIHL AG & Co.

- 2. Open Face** – A 90° notch made using a downward top cut and an upward bottom cut



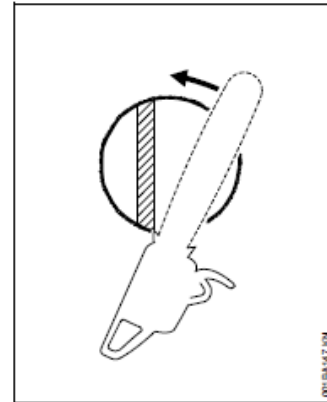
*Open Face
Notch*

© Andreas STIHL AG & Co.

3. **Humbolt** – First, a 45° notch is made using a horizontal top cut and an upward bottom cut

The top cut and bottom cut must meet cleanly to establish the apex of the Hinge. The more open the notch (90° vs 45°) the longer the hinge will control the tree during the fall. Once the hinge closes, the fall of the tree will be dictated by gravity.

A Back-cut or “felling cut” is made from the rear of the tree approaching the hinge but. The Back-cut must stop before cutting through the hinge. The hinge keeps the tree connected to the stump during the fall to maximize control.



Back Cut

©Andreas STIHL AG & Co.

CHAINSAW SAFETY ASSISTANT

Policy

FPCC policy requires that there is a Chainsaw Safety Assistant for every two Chainsawyers within sight and within reaction time (about 25yards). If chainsawyers are working farther apart, each must have a Safety Assistant.

Role

The role of the Chainsaw Safety Assistant is to monitor the site constantly to assure the safety of the Chainsaw Operator and of other volunteers or the public.

This Chainsaw Safety Assistant can be another sawyer taking a break from sawing or a trained Chainsaw Safety Assistant. 2014 and earlier, FPCC policy allowed for experienced, seasoned volunteers to perform as a Chainsaw Safety Assistant without going through the class. In 2015, FPCC is making the change to require that all Chainsaw Safety Assistants be trained and certified.

Chainsaw Safety Assistants are required to wear the Helmet, Ear Protection and Face Protection of the Chainsaw PPE requirement but are not required to wear chaps or Kevlar boots.

Communication

To communicate with the sawyer, they must walk around the fell zone to the front of the sawyer. Never approach a sawyer from behind or the side. Most teams of sawyers develop standard hand gestures that indicate shutting off the machine or other types of alerts.

Managing the public

There is something about the hum of a chainsaw that draws people over to see what is going on. It is the Safety Assistant's role to make sure a proper distance from the saw and the soon to be felled tree is kept.

Other volunteers and the public must be kept at a distance of 2 times the height of the specimen. When a tree is felled, you cannot be assured that it falls as predicted. In the situations that most of the volunteers work in, cut trees are often snagged by other trees, pull down parts of other trees, etc. in their felling path.

Other work

The Chainsaw Safety Assistant does not have to be totally idle. As long as they are constantly assessing the situation, they can be pulling cut branches out of the way. It is important that the other activity doesn't distract them or prevent them from seeing the sawyers at all times. They should always have the sawyer in their sight.

The Chainsaw Safety Assistants can be asked by the sawyer to assist if a cut is binding or to help direct a tree if they are in full PPE gear. This is only at the request of the sawyer and the assistant must be at a safe distance from the saw and any potential kickback area.

GENERAL WORKDAY SAFETY AND PLANNING

Establishing and maintaining a safe worksite is a major priority. Working with large groups of volunteers while chainsaws are being operated and brush piles are burning presents a unique set of hazards. Care should be made to establish a worksite staging area where everyone can gather at the beginning and end of the day.

The staging area should:

- Contain tools not being used
- Have water and personal belongings
- Provide a place to take a break
- Have a First Aid Kit with a way to contact emergency help.
- Be located a safe distance from the work area

Depending on the type of volunteer expected at the workday, chainsawing may be planned occur at different times.

On one end of the spectrum is the goal of getting the most cut as possible and at the other end is enjoying a peaceful day with nature. The point on that spectrum that is appropriate is decided by the site's leadership.

Some options are:

- Do the sawing before the workday starts and have then volunteers lop or saw it smaller, haul and burn it
- Do periods of sawing (maybe 15 minutes every hour) so people can walk away if they wish
- Saw at a distance from the group and then switch locations for non sawing volunteers to remove the brush
- Do most of the workday with hand tools and then saw to trim to flush cuts after a workday

SUPPLIES - ORDERING, LOANERS & REPAIR

Tool/Supply Ordering

Volunteer Resources provides and loans most of the tools and all of the herbicides needed to run successful workdays. Supplies are delivered to various Preserves sites across the county. The catalog of available tools can be found on the Resources section of the Online Volunteer System (OVS) at fpdcc.com/volunteer. The Volunteer Supply Order form and the Supply Loaner form are available in the appendix of this manual and also can be found in the Resources section of the website.

Chainsaw related items are:

- Chainsaw – Stihl MS261 is the current model. Number of chainsaws per site depends on the management schedule for the site not the number of certified chainsawyers. Volunteer Resources, the regional ecologist and the work schedule all factor into the decision on number of chainsaws
- Replacement chain – 26RMC3 67 E - Chain to replace old, worn or damaged chain for the MS261. Other chains for older saws are available by special order. Please provide the chain code off the old chain
- Chainsaw bar – 16” bar to replace old, worn or damaged bar. Other size bars are available by special order
- Sprocket – Specify if not for MS261
- Scabbard – Protective sheath to go over chainsaw bar
- Bar Oil/Standard grade – Lubricant for bar. Standard is summer weight. Available in gallons only
- Bar Oil/Winter grade – Lubricant for bar. Available in gallons only. For sites who store their saws in unheated facility during the winter
- Two cycle Oil – For 1 gallon mix - Additive for gasoline for power tools
- Helmet with Face Shield & Ear Muffs – Stihl helmet with face shield and ear protection. Suggested number is two per every chainsaw (not one per chainsawyer) assigned to site
- Face Shield – Replacement for damaged face shield for Stihl helmet only. We are not special ordering other types so if you need a new face shield for another helmet, just order a new Stihl helmet
- Chaps – Protective chaps available in 32”, 36” and 40” length but straps adjust pretty easily to fit everyone. Suggested number is two pairs per every chainsaw (not one pair per chainsawyer) assigned to site. Long length are available by special order
- Gas Can – 1.25 gallon gas can for power tool use. Suggested number is one per site
- Chain Sharpening File Guide – Aid to sharpen chain teeth includes files. This does require some training, skill and experience to do well
- Round bastard file – Small 3/16” file to repair tooth damage
- Logger First Aid Kit - It is different than the First Aid Kits issued for non-chainsaw workdays. VR provides one kit per site that is assigned a chainsaw (not per number of sawyers)
- Orange Safety Vest

Ordering Procedure

- Site Stewards download the most up to date copy of the *Supply Order Form, Herbicide Order Form or Loaner Form* available on the resources page of the FPDCC.com/volunteer
- Complete the fields in the top portion of the appropriate form: name, email/phone, site, and need by date, and delivery location (options are identified in the *Facilities Directions and Hours*)
- Select the items needed.
- Send completed form and any questions to Volunteer.fpd@cookcountyil.gov. A representative of Volunteer Resources may contact you with questions or to inform you that one or more the items in your request are on backorder.

Delivery Procedure

Volunteer Resources can deliver requested items to one of twenty different FPCC facilities located around the county. We can also deliver to schools or places of business that have front desks to drop supplies off at but cannot meet people, wait for them, etc. Drop-off site options are on the *Facilities Directions and Hours* on OVS. There is a special Steward *Facilities Directions and Hours* in your appendix that has additional agreed to drop-off spots for Stewardship only (individual garages, special storage units, etc.) that are not available to the general public.

Pick-up Another option is for the volunteer to come to the VRC to pick up the items. All items to be picked up will be waiting for

them in the Room Rental office (unless too large).

Deliveries are typically conducted each Thursday and Friday. To insure timely delivery of your items, please submit your supply order form no earlier than one week prior to their intended use.

Loaner Tool Requests

Stewardship groups and FPCC facilities typically have enough supplies for most projects and workdays. However, for larger projects or workdays, Stewardship groups may need additional tools. Volunteer Resources loans out tools for these purposes. The order and delivery process is the same as tools, supplies and herbicides except that arrangement for the pickup of the items must be defined.

Chainsaw related loaner items are:

- Chainsaw – Loaners will be available when a chainsaw is being repaired and/or when additional chainsawyers are available for a large workday.

Given that loaner items are used for short periods, it is imperative that loaner items be returned to Volunteer Resources by the agreed upon return date, typically 1-5 days after the workday. Arrangements should be made with Volunteer Resources if the loaner items will be returned to a location other than the original delivery location

Kevlar Boot Policy

Chainsawyers are required to wear Kevlar boots while chainsawing on FPCC property. Safety Assistants are not required to do so. Kevlar boots are supplied to volunteers who pledge to chainsaw at 6 chainsaw workdays per year. They are available to purchase for \$200 if the volunteer does not meet this requirement.

These boots meet the OSHA requirements currently in effect. These are provided for the volunteer to wear while operating a chainsaw on stewardship workdays and not intended to be used for other purposes.

The 6 chainsaw workdays per year must be entered on the Online Volunteer System (OVS). Volunteer Resources will send out quarterly activity reports. At the end of each year, anyone not meeting the 6 workday requirement will be asked to return the boots or purchase them for \$200. This policy will be strictly adhered to.

The chainsawyer must sign the Kevlar Boot Agreement (see appendix) and send it in with their request.

Repair Process

FPCC has a small engine repair shop at their Central Garage. Although basic cleaning is expected of the volunteer, any other repairs to the chainsaw should be made by a professional. A recommended maintenance schedule follows. If your saw is in need of repair, call the Stewardship Program Coordinator to arrange repair. He/she will need basic information about the problem to give to the Repair Shop; a location where the saw can be picked up and whether or not you need a loaner dropped off.

Volunteer Resources will take the saw in for repair. When it is ready, the reverse will happen and we will drop it off to you and pick up the loaner, if any.

CHAINSAW MAINTENANCE

The following intervals apply to normal operating conditions only. If your daily working time is longer or operating conditions are difficult (very dusty work area, resin-rich wood, tropical wood, etc.), shorten the specified intervals accordingly. If you only use the saw occasionally, extend the intervals accordingly.		before starting work	after finishing work or daily	after each refueling stop	weekly	monthly	every 12 months	if problem	if damaged	if required
Complete machine	Visual inspection (condition, leaks)	X		X						
	Clean		X							
Throttle trigger, throttle trigger lockout, Master Control	Check operation	X		X						
Chain brake	Check operation	X		X						
	Have checked by servicing dealer ¹⁾²⁾									X
Pickup body/filter in fuel tank	Check					X				
	Clean, replace filter element					X		X		
	Replace						X		X	X
Fuel tank	Clean					X				
Chain oil tank	Clean					X				
Chain lubrication	Check	X								
Saw chain	Inspect, also check sharpness	X		X						
	Check chain tension	X		X						
	Sharpen									X
Guide bar	Check (wear, damage)	X								
	Clean and turn over									X
	Deburr				X					
	Replace								X	X
Chain sprocket	Check				X					
Air filter	Clean							X		X
	Replace								X	
Antivibration elements	Check	X						X		
	Have replaced by dealer ¹⁾								X	
Cooling inlets	Clean		X							
Air inlet on fan housing	Clean		X		X					X
Cylinder fins	Clean		X		X					X
Preseparator port and carburetor body	Clean									X
"Carb preheat" shutter and preheating port	Clean (winter operation only)									X
Carburetor	Check idle adjustment – chain must not rotate	X		X						
	Readjust idle									X
Spark plug	Readjust electrode gap							X		
	Replace after every 100 operating hours									
All accessible screws and nuts (not adjusting screws) ³⁾	Tighten									X
Spark arresting screen in muffler	Check							X		
	Clean or replace								X	
Combustion chamber	Decoke after first 139 hours of operating, then every 150 hours									X
Chain catcher	Check	X								
	Replace								X	
Safety labels	Replace								X	

CERTIFICATION PROCESS

Test

You must pass the exam with a 90% or higher score for certification. Passing the test (and attending the class) meets the requirement for the Chainsaw Safety Assistant.

Field Observation

Field Observations must be done with Resource Management Staff for all those aspiring to be certified as a Sawyer. If the student does not pass the first time, they do have the ability to come back a second time to be observed again.

Scheduling

The instructor will give the student their contact information to arrange a date, time and location of the Field Observation. Multiple students will be observed at the same session.

Certification

Designation including level will be reflected on the volunteer's OVS profile and ID card.

Know when a situation is beyond your skill level. NEVER cut something you are not comfortable with. Know when to walk away and ask for help. Your safety is ultimately your responsibility and is influenced not just by the protective equipment you wear but by the decisions you make and the attitude you have while working.